



The BMS-S6-PIR-DC1-BLE-SR-PPM uses PIR motion detector architecture and passive infrared (PIR) technology for improved detection coverage for high bay applications.

OVERVIEW

- PIR sensor.
- Daylight Harvesting
- Bluetooth® SIG mesh.
- High-End Trim, Zoning, Continuous Bi-level Dimming.
- LED Motion indicator.
- Mounting height up to 40ft .
- 360° coverage pattern.
- Low Voltage connector.

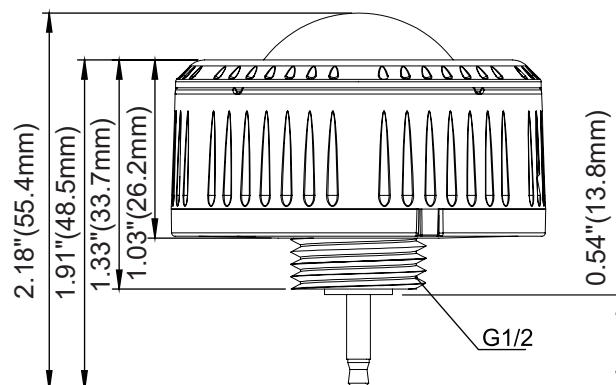
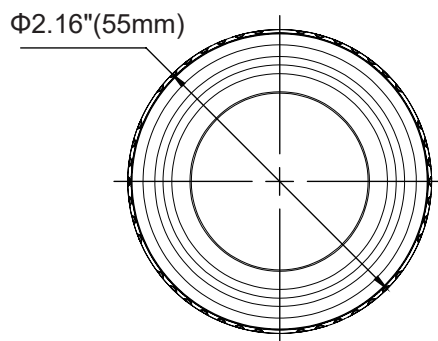
FEATURES AND BENEFITS

- Bluetooth to 0-10V signal converter, Bluetooth® mesh network.
- Built-in 20mA 0-10V signal output.
- Mesh network, which has a much longer control distance, transmits received signals to neighboring devices.
- All devices on 0-10V line are broadcast controlled by mobile application.
- In typical outdoor environment, the typical range for wireless communication is 200ft(60m).
- Actual range is dependent on field installation.
- Available with Magnetic reset (Touch the top part of sensor for 5 seconds).
- On-board antenna.

TECHNICAL DATA

Motion Sensor	Passive Infrared (PIR)
Input Power	12-24VDC, >50mA
Control Output	0-10V, max 25mA sinking current
Mounting Height	40ft Max
Detection angle	360°
Operating temperature	-4°F ~ +140°F (-20°C ~ +60°C)
Max Bluetooth Range	200ft(60m)
IP Rating	IP65

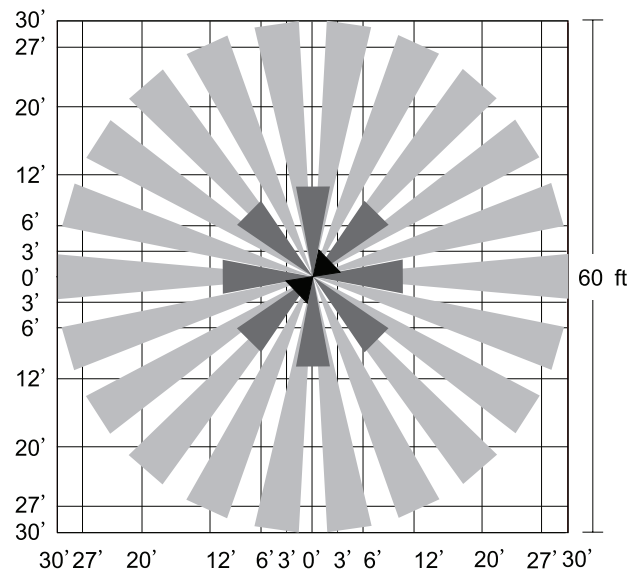
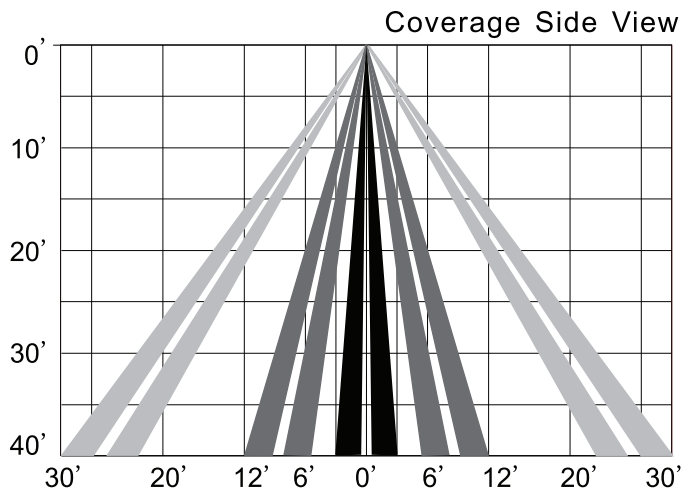
PHYSICAL DIMENSIONS



ORDERING INFORMATION

Model No.	Description	Input Voltage	Output	Mount
BMS-S6-PIR-DC1-BLE-SR-PPM	Passive Infrared (PIR) Occupancy Sensor with Bluetooth Mesh Feature	12-24VDC	0-10V	Plug and Play Mount

DETECTION AREA



WARRANTY

Five year limited warranty.

Specifications subject to change without notice.